

**KIWATEK**  
HAKO-C158

**Dimensions:**

306.0 mm(W) x 269.9 mm (D) x 59.5 mm (H)  
(12.0" x 10.6" x 2.3")

**Front Panel:**

Power SW x 1 . Power LED x 1 . HDD LED x 1

**Right side Panel:**

USB x 2 . Audio in/out x 1  
Slim ODD . Compact flash module hole.

**Back Panel:**

Standard I/O shield(not include). DC JACK.  
Expansion PCI/PCI-E slot x 1  
Extra serial port x 3

**Drive bays:**

3.5" HDD x 1 or 2.5" HDD x 1

**Cooling Fan:**

4 cm Fan x 1

**Power Input:**

- A. Power input: 12V DC  
External 60W or 80W AC adapter
- B. Power input: 19V DC  
External 90W or 120W AC adapter
- C. 160W Automotive DC power board

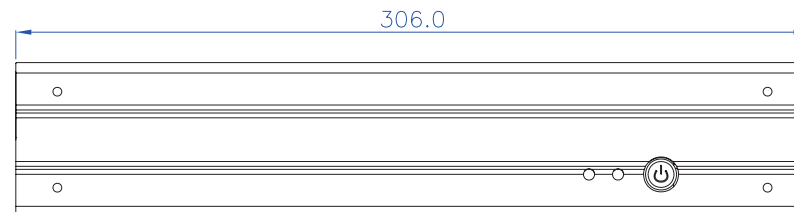
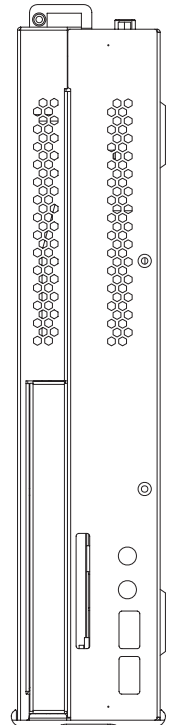
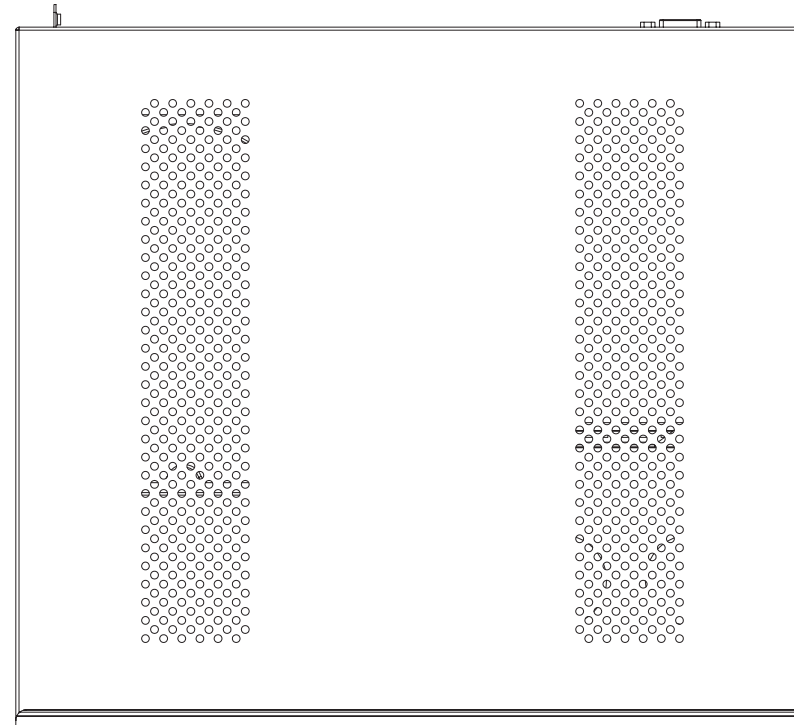
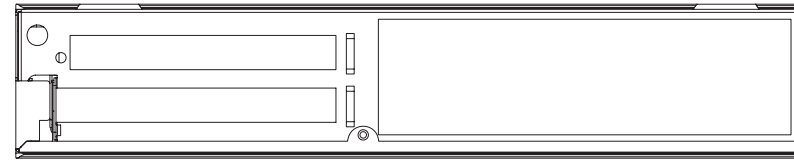
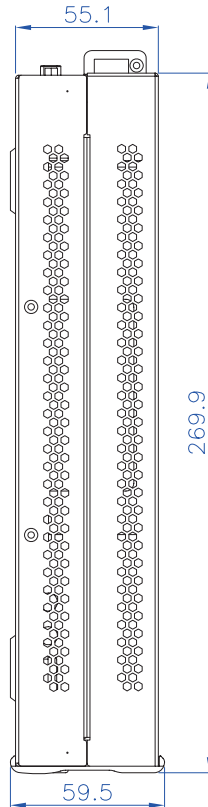
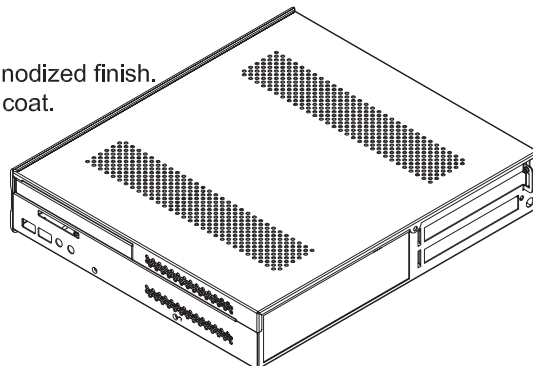
**Construction:**

Aluminum front panel with anodized finish.  
Black wet paint with texture coat.

**Certifications:**

CE approval  
FCC Class A

**RoHS Compliant**



Unit : mm.  
Date : 2010.01.02