

KIWATEK
HAKO-C289

Dimensions:

298.8 mm(W) x 229 mm (D) x 72.8 mm (H)
(11.76" x 9.02" x 2.87")

Front Panel:

Power SW x 1 . Power LED x 1 . HDD LED x 1
USB x 2 . Audio In/Out x 1
Slim CD ROM or Compact flash module.

Drive bays:

3.5" HDD x 1 or 2.5" HDD x 1
Add 2.5" HDD x 1 when Slim ODD not installed.

Cooling Fan:

6 cm Fan x 1
Extra fan can be purchase

Power Input:

- A. ATX 250W Power supply
- B. Power input: 12V DC
External 60W or 80W AC adapter
- C. Power input: 19V DC
External 90W or 120W AC adapter
- D. Power input: 24V DC
External 120W AC adapter
- E. Automotive 6-24V/160W DC Power Board

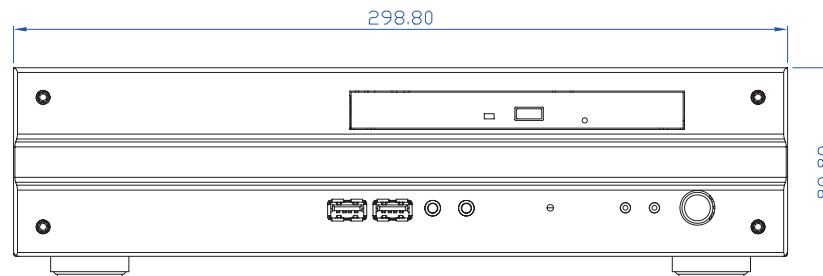
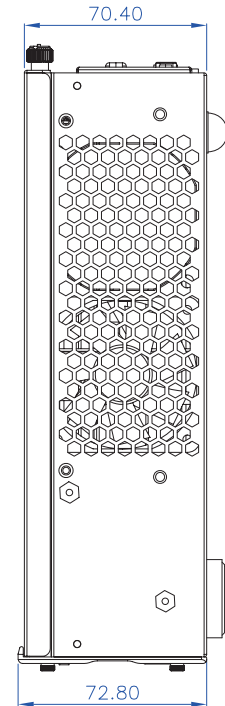
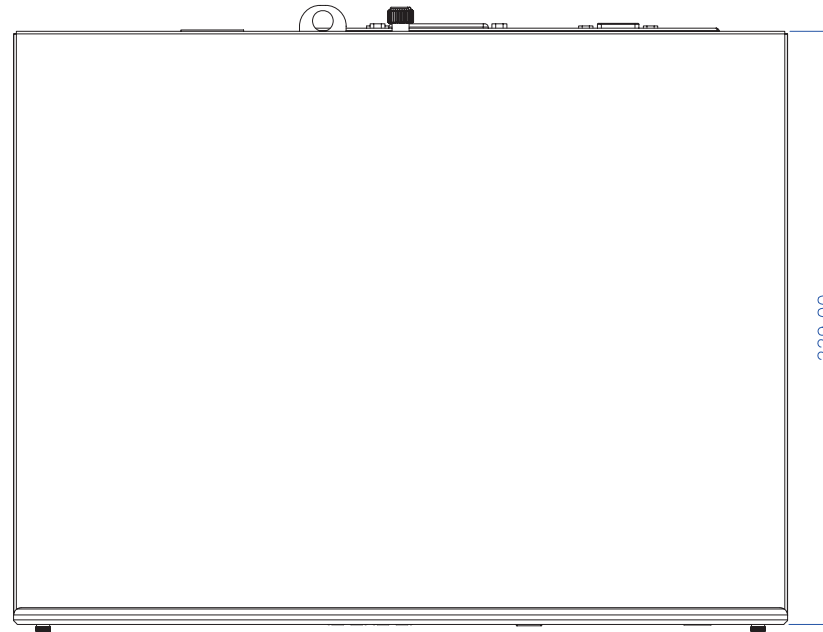
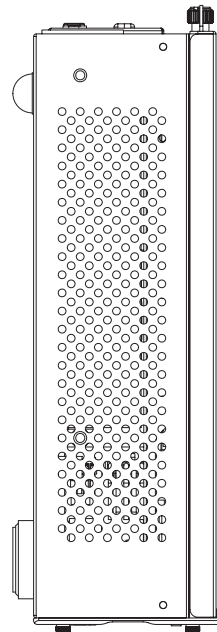
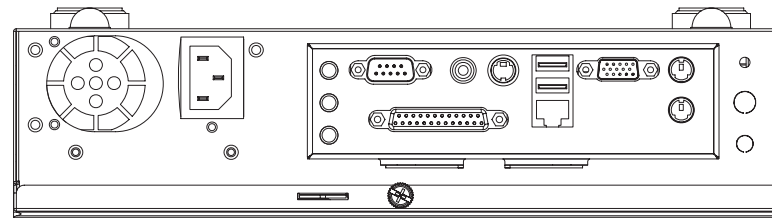
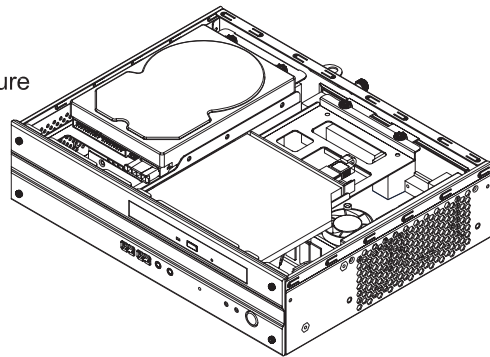
Construction:

Aluminum chassis
Low Noise
Low Operation temperature

Certifications:

CE approval
FCC Class A

RoHS Compliant



Unit : mm.
Date : 2009.02.13