

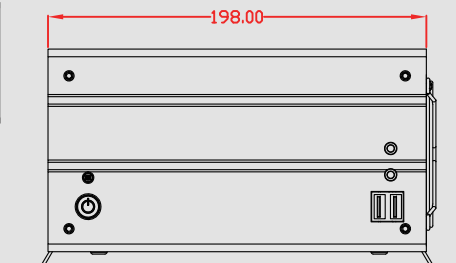
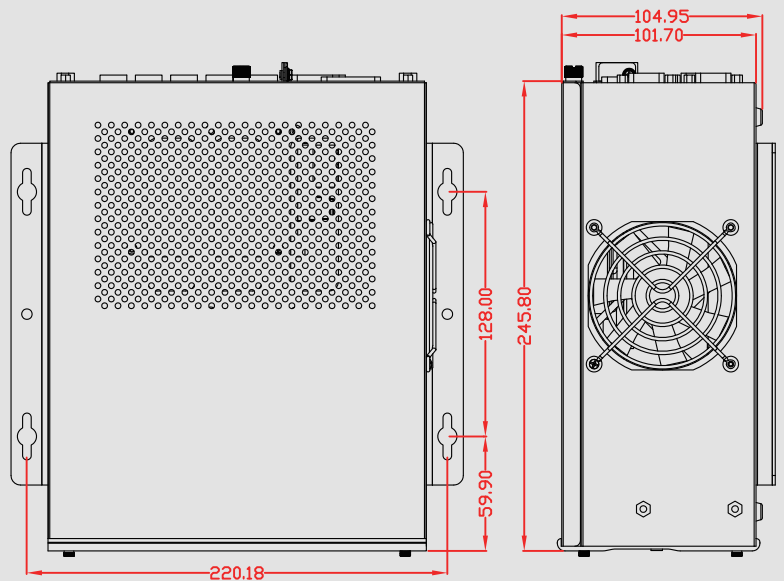
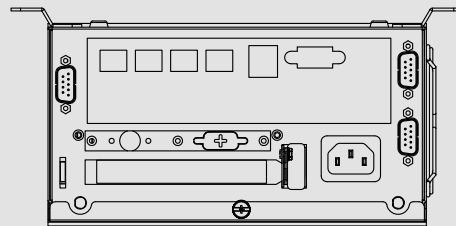
Feature :

1. Support 2 x 2.5" HDD and 1 x 3.5" HDD or 3 x 2.5" HDD
2. Support 1 x Expansion slot for PCIe or PCI
3. 3 x DB9 ports on rear I/O
4. Excellent cooling with 1 x 8 cm fan inside



Specifications:

Front Panel	<ul style="list-style-type: none"> ● Power switch x 1. ● Power LED x 1. ● HDD LED x 1. ● USB Port x 2.
Back Panel	<ul style="list-style-type: none"> ● Standard I/O shield (not included). ● Expansion slot x 1. ● DB9 ports x 3.
Internal Structure	<ul style="list-style-type: none"> ● Standard memory height. ● 8cm fan x 1. ● 2.5" HDD bracket x 2. ● 3.5" HDD bracket x 1.
Dimension (WxDxH)	7.80 x 9.68 x 4.00 inch (198.0 x 245.8 x 101.7 mm)
Material	Light weight aluminum alloy Extruded aluminum front panel
Surface	Aluminum front panel with anodized finish; Black wet paint with texture coat.
Colour	Black. Customizable colour.



Power Solutions :

Internal Power Supply
Flex 250W Power Supply

UNIT:mm