

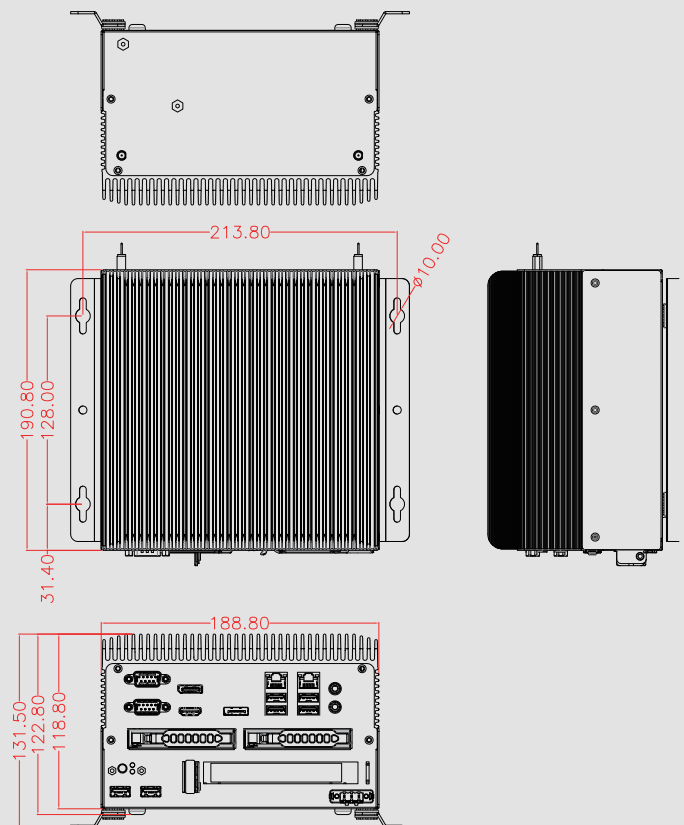
### Feature :

1. For Mini-ITX ASROCK IMB-194-D M/B  
With CPU TDP 35W Max.
2. Simple Assembling and Easy System Integration.
3. Support Wall/ Vesa Mount Bracket. (Optional)
4. Silent, Dust-free.



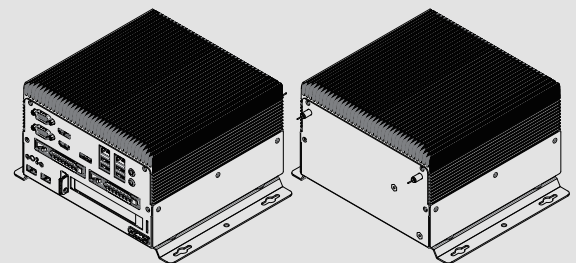
### Specifications:

Front Panel	<ul style="list-style-type: none"> <li>● Power Switch x 1.</li> <li>● Power LED x 1.</li> <li>● HDD LED x 1.</li> <li>● USB Port x 2.</li> <li>● 2.5" HDD x 2.</li> <li>● Standard I/O Shield.</li> <li>● Expansion Slot x 1.</li> <li>● Terminal Block x 1.</li> </ul>
Back Panel	<ul style="list-style-type: none"> <li>● ANT Hole x 2 .</li> </ul>
Internal Structure	<ul style="list-style-type: none"> <li>● 2.5" HDD x 1.</li> </ul>
Accessories	<ul style="list-style-type: none"> <li>● Vesa-mounting Bracket x 1. (Optional)</li> <li>● Wall-mounting Bracket x 1. (Optional)</li> </ul>
Dimension (WxDxH)	7.43 x 7.51 x 4.83 inch (188.8 x 190.8 x 122.8 mm )
Material	SGCC
Surface	Black Wet Paint With Texture Coat.



### Power Solutions :

Internal Power Supply	External AC Adapter
C7 80W DC Power Board	C7(60W): Input (AC 100~240V) Output (DC 12V@ 5A)
C7 80W DC Power Board	C7(80W): Input (AC 100~240V) Output (DC 12V@ 6.67A)



UNIT:mm