

KIWATEK

ONDO-F370-03

Dimensions:

178.00mm(W) x 261.60mm (D) x 137.50mm (H)(7.0" x 10.3" x 5.4")

Motherboard Spec.

For Mini-itx Motherboard.

Front Panel:

Power SW . Power LED . HDD LED .
USB 2.0 Port x 2 .

Back Panel:

Expansion PCI Raw slot x 1 .
USB 3.0 Port x 4 .
VGA x 1 .
COM Port x 6 .
HDMI x 1 .
Gigabit LAN x 2 .
Display Port x 2 .
Audio IN/OUT .
12V DC in

Drive bays:

2.5" HDD x 1

Power Input:

C7(80W)

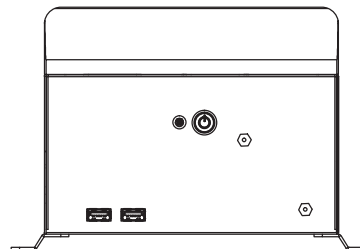
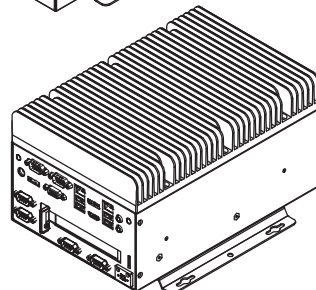
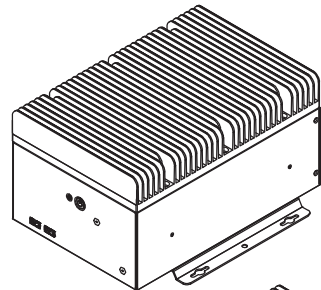
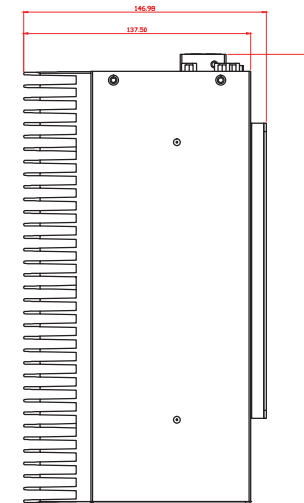
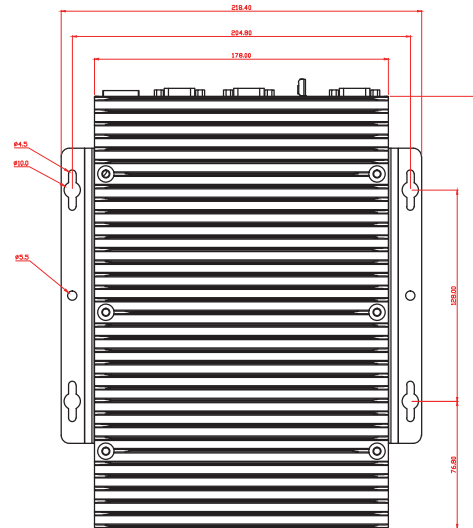
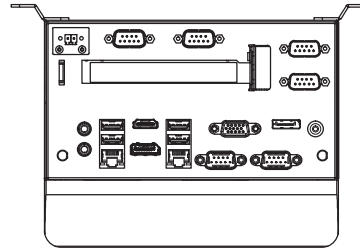
Construction:

Metal chassis

Aluminum chassis

Low Operation temperature

RoHS Compliant



UNIT : mm

Rev : A

Date : 2016.05.17

PAGE : 1 / 1