

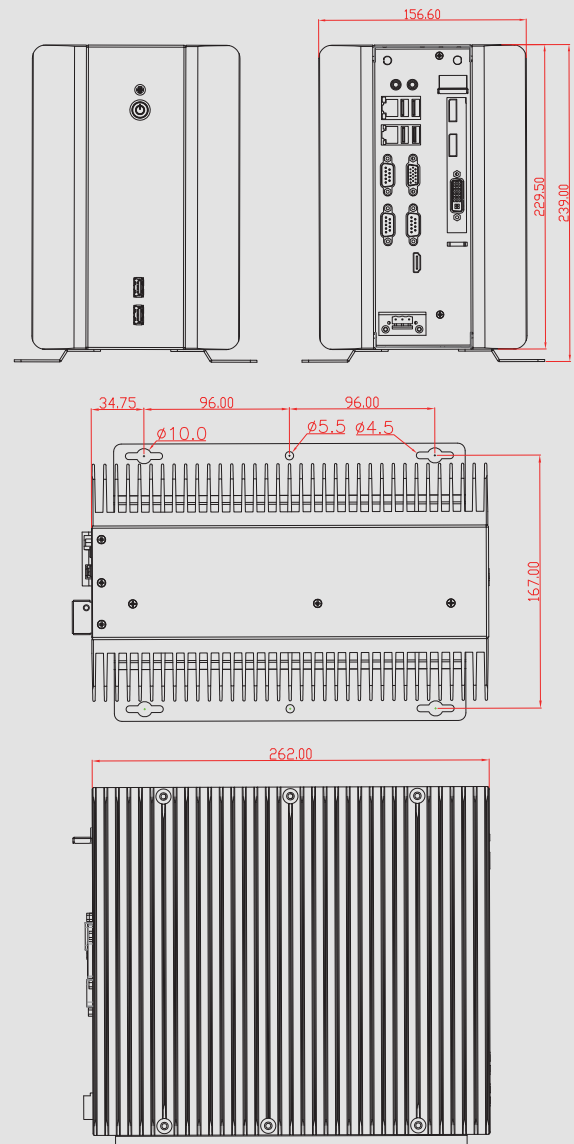
## Feature :

1. For Mini-ITX Form factor motherboard with CPU TDP 70W max.
2. Dual Aluminum Heatsink for Motherboard & Expansion board
3. Support 1 x expansion slot for PCI or PCI-E.
4. Silent , Dust-free & Energy - efficient operation



## Specifications :

Front Panel	<ul style="list-style-type: none"> <li>● Power switch x 1.</li> <li>● Power LED x 1.</li> <li>● HDD LED x 1.</li> <li>● USB 2.0 Port x 2.</li> </ul>
Back Panel	<ul style="list-style-type: none"> <li>● USB 2.0 Port x 2. USB 3.0 Port x 2.</li> <li>● Expansion Slot for PCI/ PCI-E x 1.</li> <li>● HDMI x 1. COM x 3 .</li> <li>● VGA x 1.</li> <li>● Gigabit LAN x 2.</li> <li>● Audio IN / OUT</li> <li>● Terminal block.</li> </ul>
Internal Structure	<ul style="list-style-type: none"> <li>● 2.5" HDD x 2.</li> </ul>
Dimension ( WxDxH )	6.17 x 10.32 x 9.04 inch ( 156.6 x 262 x 229.5 mm )
Material	SGCC Anodized aluminum heatsink
Surface	Black wet paint with texture coat.



UNIT:mm

## Power Solutions :

Internal Power Supply	External AC adapter
C4 (150W) DC Power board	120 Watts